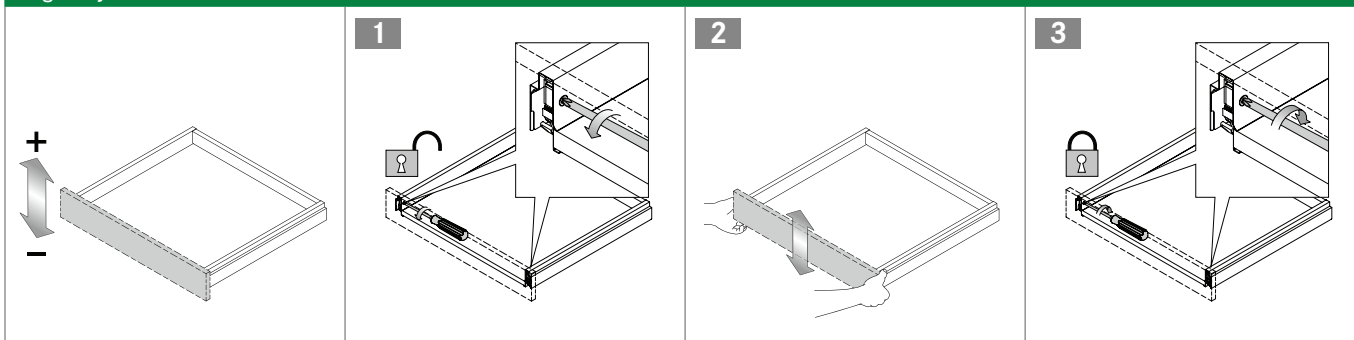


NOVA PRO SCALA

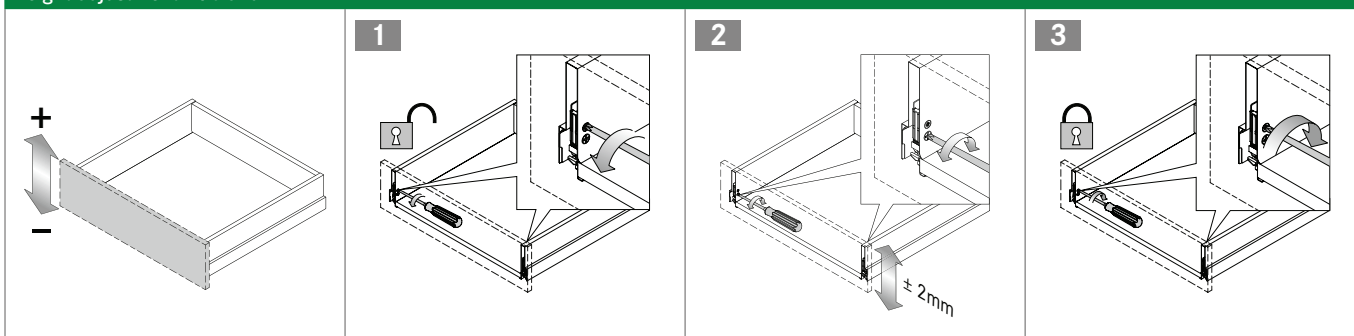
Technical information

ADJUSTMENT

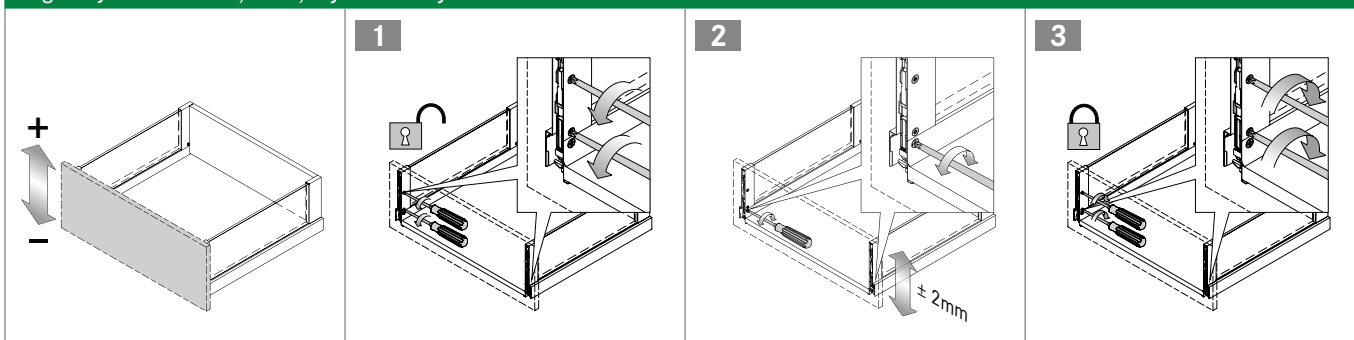
Height adjustment H63



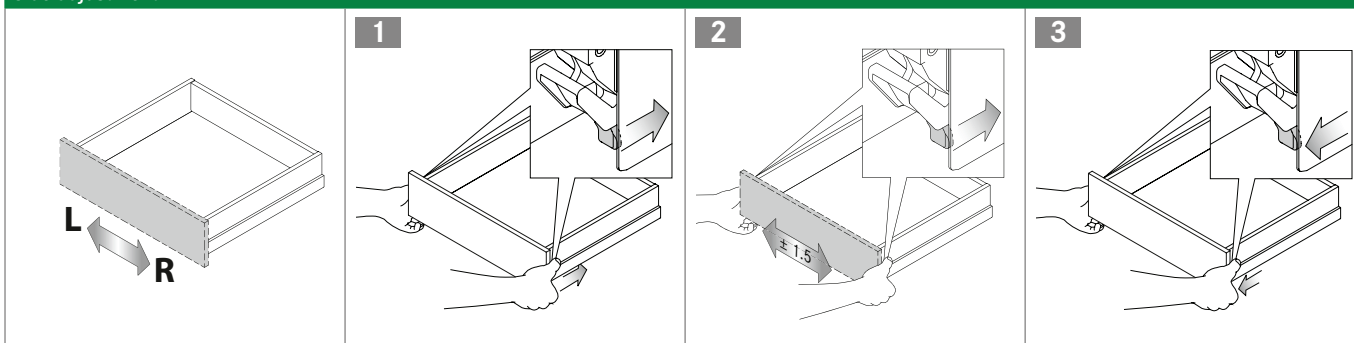
Height adjustment H90 and H122



Height adjustment H186, H250, Crystal and Crystal Plus



Side adjustment



PAGE REFERENCES

Drawer sides	13	Steel back panels	58	Sensomatic	81
Slides	34	Designer panels	64	Organising systems	103
Inset panels	42	Accessories	66	Assembly technology	116

ADJUSTMENT

Tilt angle adjustment H90 with rectangular railing		Tilt angle adjustment H90 with rectangular railing and front support	
	1 		1
Tilt angle adjustment H122, H186, H250, Crystal and Crystal Plus		Tilt angle adjustment H90 with oval railing	
	1 		1

ASSEMBLY/REMOVAL

Inserting		Removal	
		50% 	

LEGEND

